

Parts List for **neptune** Petroleum and LPG Truck Meters

RED SEAL MEASUREMENT

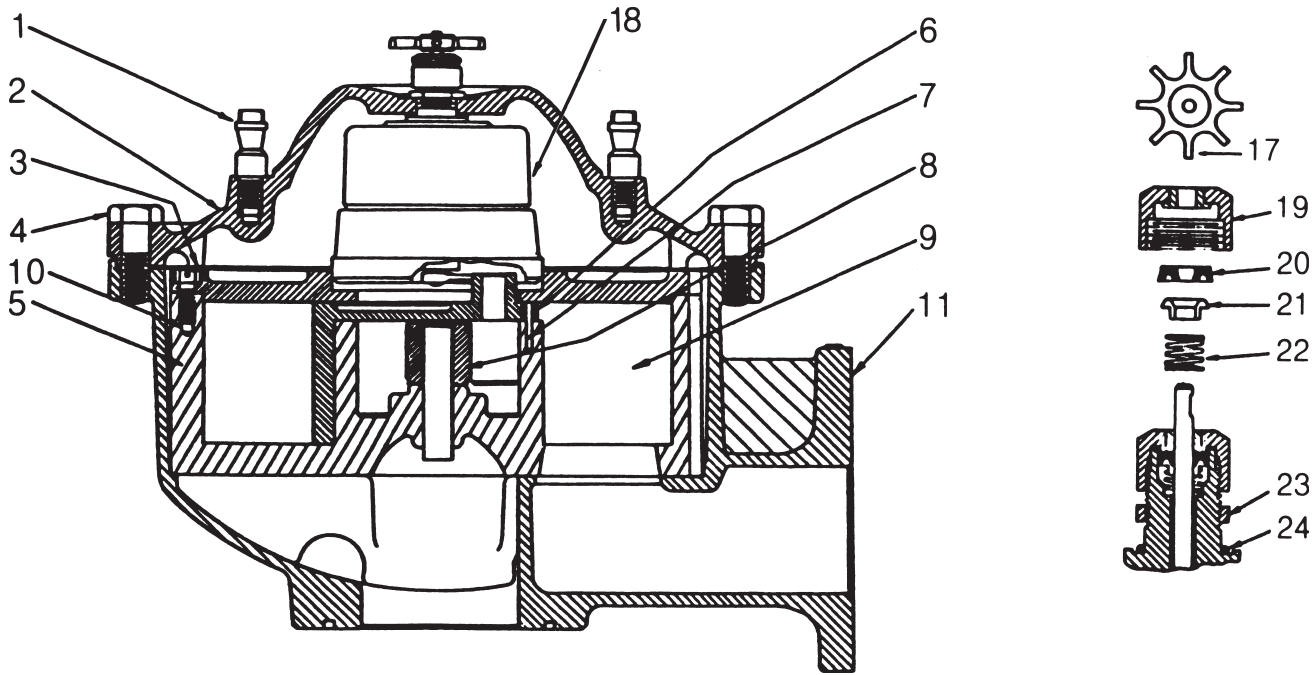
Though several items are the same in both style meters, we stock most parts for standard petroleum meters (4MT), but not so for LPG meters. Parts normally in stock are highlighted in yellow. There could be a 1-2 week lead time for non-stock items. Please contact our parts department for more information.

Note - All Neptune Red Seal part numbers containing a dash (-) actually have six characters preceding the dash. Leading zeros are left off in this manual.



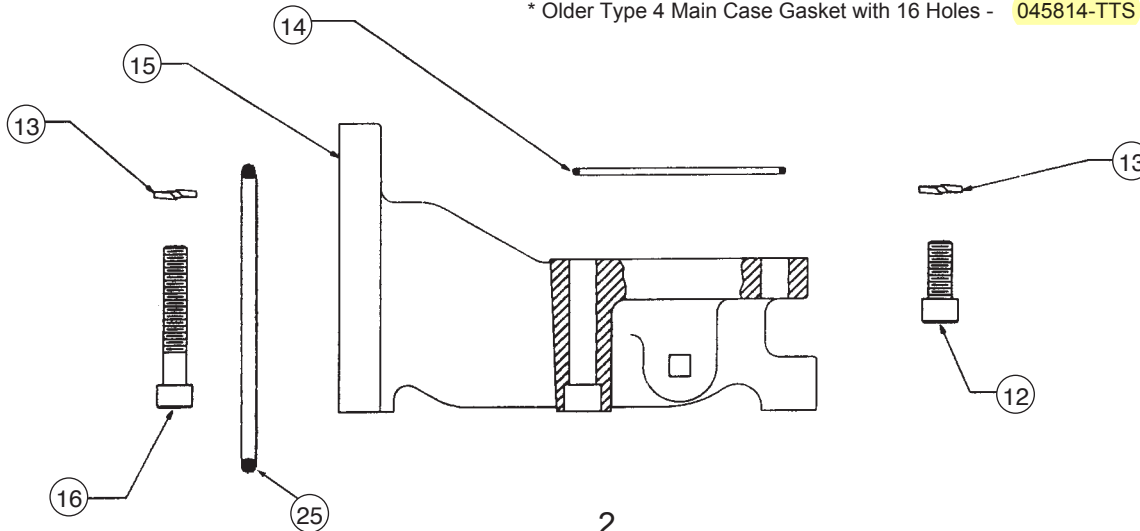
Flowmeter without Temperature Compensator

Type 4-MT and Type 4D-MT



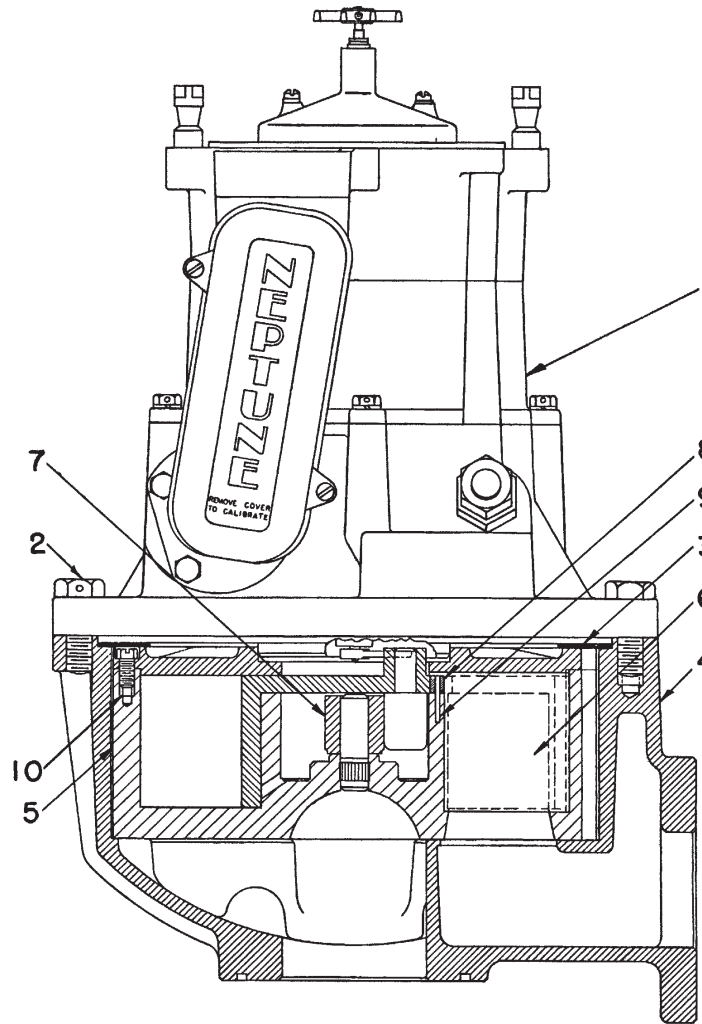
Index	Description	Part No.	Index	Description	Part No.
1	Stud Register Mounting	84435-000	14	Gasket, Connector	100139-018
2	Cover, Main Case	400071-001	15	Connector with plug, Meter-to-Vapor Release	400079-001
3	Gasket, Main Case *see below	84806-000	16	Screw, Cap Skt Hd. 7/16-14x3"	8325-040
4	Screw Cap, Main Case	795-003	17	Star Connection with Setscrew	82976-001
	Screw Cap, Main Case (with Seal Hole)	795-011	18	Gear Train Complete	
5	Measuring Chamber Complete	C45806-101		3.75 Reduction US Gal	83502-000
6	Pin Seal	42546-000		9.93 Reduction Litres	80862-055
7	Dowel Stud, Seal Pin	5211-001	19	Stuffing Box Nut with Bushing	83536-000
8	Roller Control	42316-001	20	Seal, U-Cup Shaft	100025-002
9	Diaphragm	42312-001	21	Expander Seal	83539-000
10	Screw, Measuring Chamber	88638-000	22	Spring, Stuffing Box	83540-000
11	Main Case with Locating Pin	400072-701	23	Nut Clamp	34-000
12	Screw, 7/16-14 x 1 1/2" Cap Skt Hd	8325-041	24	Gasket, O-ring, Gear Train	100138-003
13	Lockwasher, 7/16 steel	41012-002	25	O-Ring, BUNA	100139-013

* Older Type 4 Main Case Gasket with 16 Holes - 045814-TTS



Flowmeter with Temperature Compensator

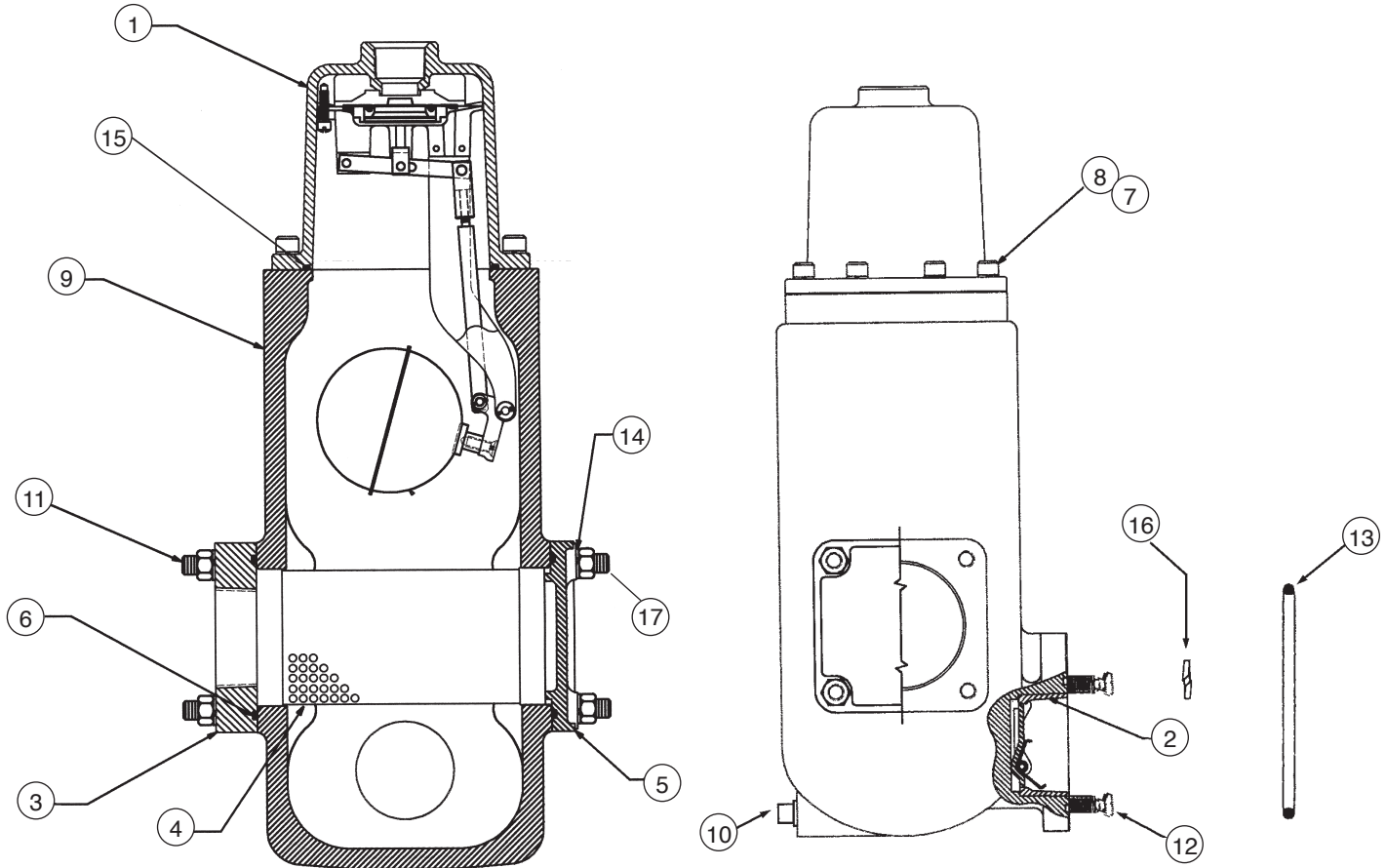
Type 4-MT and Type 4D-MT



Index	Description	Part No.
1	LP-Gas Temperature Compensator	See Note
2	Cap Screw, Main Case	795-003
	Cap Screw, Main Case (with seal hole)	795-011
3	Gasket	84806-000
4	Main Casing with Locating Pin	400072-701
5	Measuring Chamber Complete	C45806-101
6	Diaphragm	42312-001
7	Roller, Control	42316-001
8	Pin Seal	42546-000
9	Dowel Stud Seal Pin	005211-001
10	Screw, Measuring Chamber	88638-000

Note: Temperature Compensator parts are shown on pages 8 & 9.

400085-701 Type 4-MT Air Release

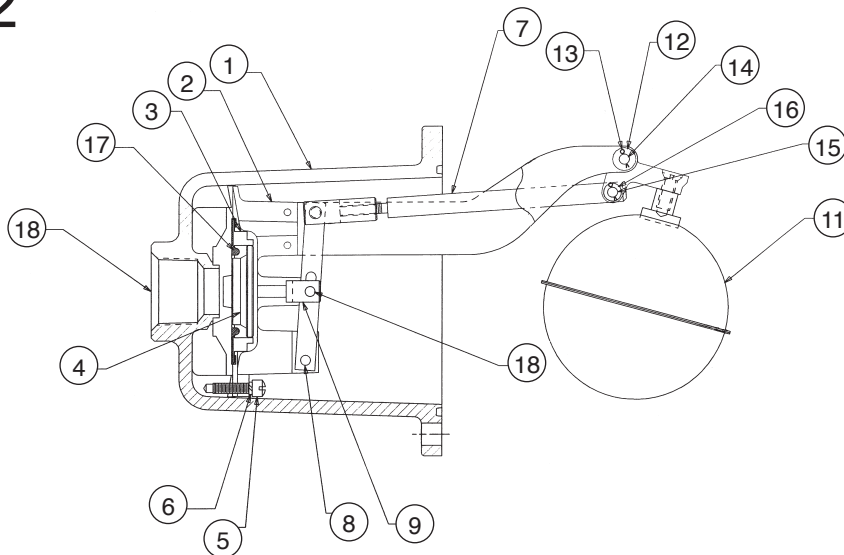


NOTE:

- 1. TORQUE PER E.S. #10100
- 2. APPLY ANTI-SEIZE THREAD COMPOUND TO ITEM #8

Type 4-MT Air Release Cover

400087-702



Part Number 400085-701

Index	Description	Part No.
1	Cover Complete 2" Type 4 Extended,	400087-702
2	Viton Valve Complete Shutoff 2" Type 4	083459-000
3	A/R Flange, 2" Companion	086814-001
4	Strainer Complete 40 Mesh 2" Type 4- see alternates below	101405-002
5	MT Cover, 2" Strainer	600103-000
6	O-Ring BUNA see alternate items below	100139-018
7	Washer, 3/8 Lock	100440-001
8	Screw, 3/8-16 x 1 Soc. Head Cap	008325-014
9	Assembly, 2" Air Release	400086-701
10	Pipe Plug 3/8" Sq. Head	100075-010
11	Bolt, 7/16-14 x 1-3/4 Hex	600393-001
12	Bolt, 5/8-11x 1-3/4	100085-048
13	O-Ring BUNA see alternate items below	100139-013
14	Washer, Lock 7/16 Heavy	41012-002
15	O-Ring, BUNA see alternate items below	100139-022
16	Washer, 5/8 Lock	041395-000
17	Bolt, 7/16 - 14 x 1-3/8 HEX	000795-003

Strainer, 16 Mesh (lubes)	101405-001
Strainer, 40 Mesh (diesel)	101405-002
Strainer, 60 Mesh	101405-003
Strainer, 80 Mesh (gas)	101405-004
Strainer, 108 Mesh	101405-005

Alternate Items - all are stock items	
#6 above in viton	100139-018VT
#6 above square in buna	082694-003
#13 above in viton	100139-013VT
#15 above square in buna	082469-002

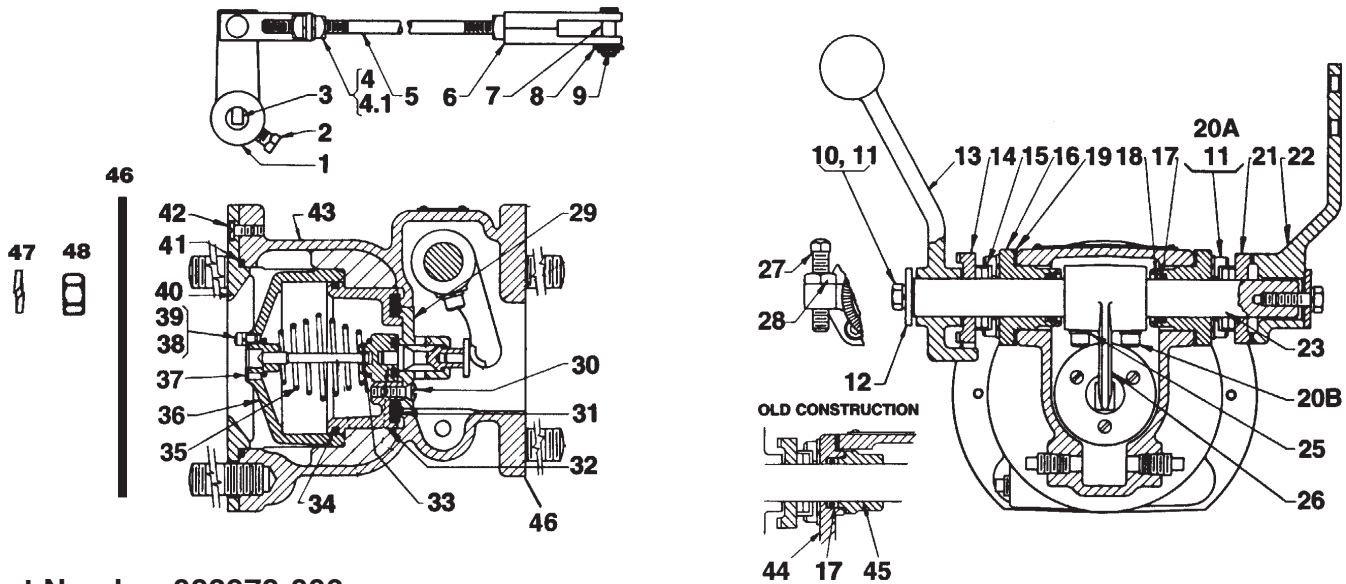
Part Number 400087-702 complete cover assy. viton**

**does not include cover o-ring #15 above

Index	Description	Part No.
1	Cover Only , A/R 2" Type 4 Extension	082451-008
2	Housing Assembly, 2" Type 4 Extended A/R	083457-004
3	Sleeve, Air Release, Aluminum	082446-005
4	Valve Assy., Main - Bronze - Viton	089274-010
5	Screw, 10-32 x 5/8 Fil. Hd. 303 SST	041221-002
6	Washer, Lock No. 10 Spring Steel	041211-000
7	Link Asm., Connecting Adjustable (Alum)	1001120
8	Pin, 0.187 OD 21/32 LG	040819-002
9	Stem, Valve PST Type A/Rel. BRZ	083127-001
10	Pin, Valve Lever & Stem Air Release	042941-000
11	Float Complete	082476-001
12	Spacer Drive Gear Hub VSB Reg. BRS	040491-000
13	Pin, Cotter 1/16 Dia. x 1/2 Lg.	041402-000
14	Pin, Float Lever - A/R Valve	040820-003
15	Pin, V Connection 3/16 OD x 11/16 LG., BRZ	082633-000
16	Washer No. 10 Screw	041989-000
17	Seal, Piston Viton 083179-002 Buna 083179-000	
18	Cap Lug	085257-012

Buna 089274-006

Double Trip Aluminum Valve Type 4-MT

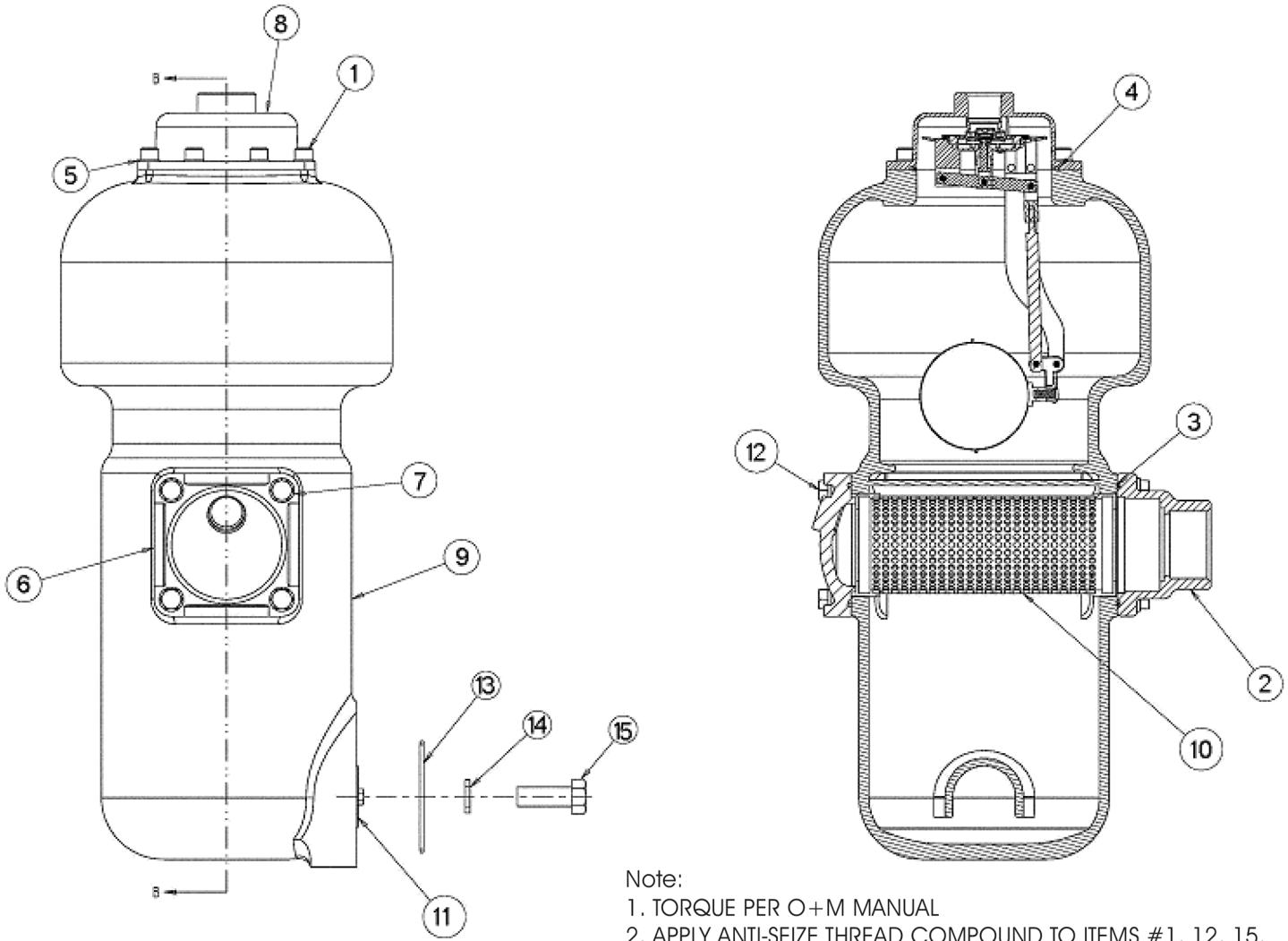


Part Number 083978-006

Index	Description	Part No.	Index	Description	Part No.
1	Arm Complete, Connecting Link	84603-000	28	Nut, Stop, 5/16-18 sq steel	41545-000
2	Setscrew, 5/16-18 x 5/8 sq hd st	41546-000	-	Piston & Throttling Ring Assem. - Petroleum	83981-002
3	Bushing, Connecting Link Arm (knurled)	48858-001	29	Throttling Ring Assem. with Rod	83984-000
4	Nut, 5/16 - 18 sq steel	41476-000	30	Screw, Piston Assembling 10-32 (special)	600434-001
4.1	Lockwasher, 5/16 steel	100121-010	31	Disc, Valve	
5	Rod, Connecting - 12"	83435-012	-	Viton A (Standard for Petroleum)	83983-002
	Rod, Connecting - 14"	83435-014	32	Piston	83982-000
6	Clevis, Connecting Rod	83433-000	-	Pilot Valve Assembling with Rod Petroleum (Standard) Buna-N Petroleum - Viton	85012-000 85012-003
7	Clevis Pin	83434-000	33	Rollpin, 1/16 dia x 1/2	100370-004
8	Washer, 5/16" steel	41477-000	34	Ring, Piston	83989-000
9	Cotter Pin, 3/32 dia x 11/16 brass	41640-000	35	Spring, Valve	85007-001
10	Screw, 1/4-20 x 3/4 hex hd steel	83784-000	36	Cylinder Assembled with Plate	85014-000
11	Lockwasher, 1/4 steel	41117-000	37	Plate, Orifice	85015-000
12	Washer (Special)	40508-000	38	Washer, No. 8 stainless	41982-002
13	Handle, Operating	83776-000	39	Screw, 8-32 x 5/16 fil hd	50351-002
14	Stop Plate, Handle (left-hand)	83779-000	40	Ring, Cylinder Retaining	83992-000
15	Pin, Operating shaft, 1/4 dia x 1-1/4 (Rollpin)	100370-017	41	Gasket, Retaining Ring Buna-N O-ring	100139-016
16	Bracket Assy with Buna-N O-ring	84089-001	42	Screw, 10-32 x 3/8 fil hd	733-001
17	O-ring, Viton	100139-003	43	Body Assembled w/studs	084452-009
18	Retainer, Truarc	8579-108	44	Note: Parts 44 & 45 have been replaced by Part 16.	
19	Gasket, Bearing Bracket, Fiber	83422-000	45		
20A	Screw, 1/4-20 x 3/4 Allen hd st st	83784-000	46	Flange Gasket Non-Asbestos Buna is	42948-009 42948-000
20B	Screw, 1/4-20 x 1" Allen hd st st	83784-000	47	Lockwasher	41395-000
21	Stop Plate, handle (right hand)	83778-000	48	Nut 5/8-11	41224-000
22	Arm, Connecting Rod	83997-000			
23	Shaft, Operating	83993-001			
25	Lockwasher, 1/4	41117-000			
26	Cam, Operating	83994-000			
27	Screw, Stop, 5/16-18 x 1-1/2 sq hd oval pt	83785-000			

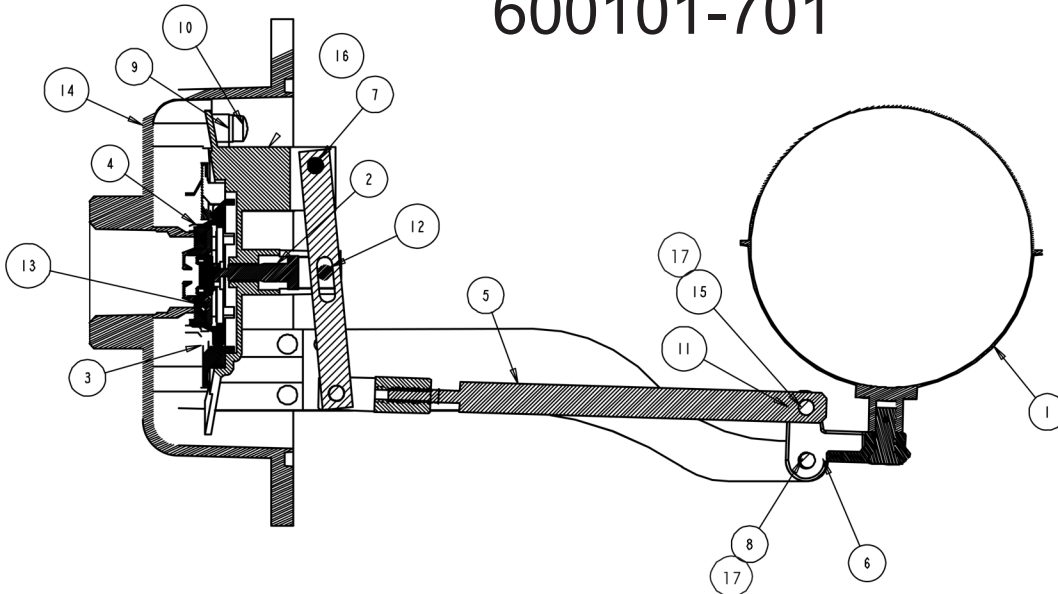
Type 4-MT SC Air Release and Strainer

600100-702



Type 4-MT SC Air Release Cover

600101-701



Part Number 600100-702 (Air Release and Strainer)

Index	Description	Part No.
1	SCR 3/8-16 X 1 S.H.C.S	008325-014
2	INLET FLANGE	084814-003
3	O-RING	100139-018
4	O-RING	100139-022
5	LOCKWASHER	100440-001
6	CVR STR 2 4D-MT SC	600103-000
7	WASHER, SRG LOCK 7/16	041012-002
8	COVER, COMP TY 4 - MT SC	600101-001
9	BODY 2 TY 4-MTSC A/R	600105-001
10	STRAINER SC	600106-00X
11	ASM BP VAL 2 TY 4 A/R SC	600110-001
12	BOLT 7/14 X 1-3/8 HEX	000795-003
13	O-RING	100139-013
14	WASHER, 5/8 LOCK	041395-000
15	SCREW, 5/8-11 X 1 3/4	100085-048

Strainer, 16 Mesh	600106-001
Strainer, 40 Mesh	600106-002

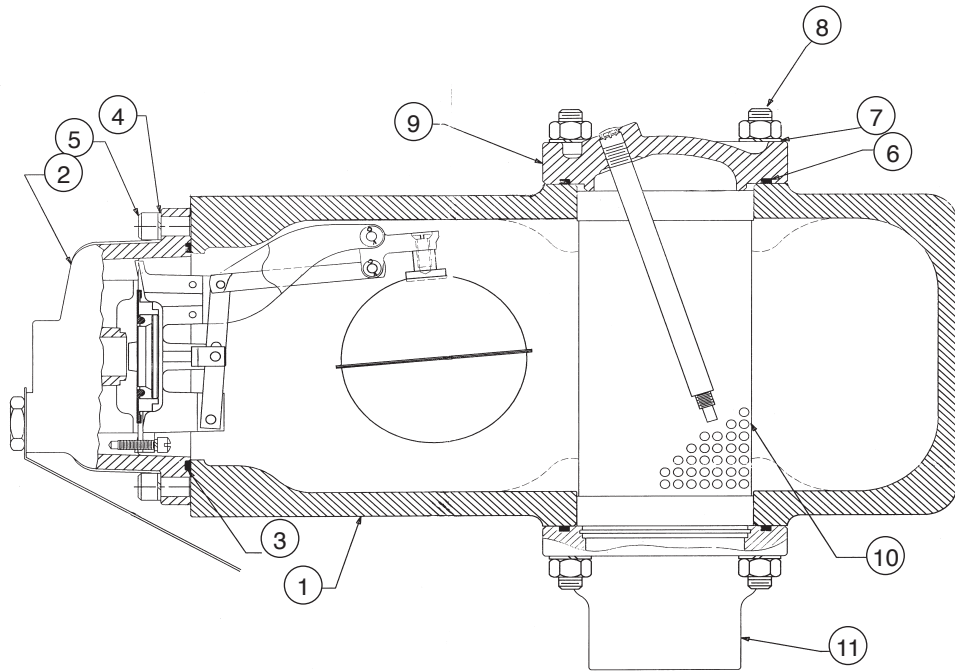
Part Number 600101-701(Air Release Cover)

Index	Description	Part No.
1	ASM FLOAT STEEL	082476-001
2	STEM VAL PIS A/R BRZ	083127-001
3	SEAL VAL PIS A/R BRZ - VIT	083179-002
4	VALVE ASSY, MAIN BRZ-VIT	089274-010
5	ADJUSTING SCREW ASSY	1001120
6	HUB SPACER DRV GEAR	040491-000
7	PIN, 0.187 O.D 21/32 LG.	040819-002
8	PIN, FLOAT-LEVER - A/R VALVE	040820-003
9	WASHER, SRG LOCK NO. 10 MED.	041211-000
10	SCR 10-32X 5/8 FIL HD SST	041221-002
11	WASHER, No.10	041989-000
12	PIN VAL LEVER	042941-000
13	SLEEVE A/R ALUM	082446-005
14	CVR ONLY A/R 2 TYP 4	082451-004
15	PIN, 3/16 OD X 11/16 LG.	082633-000
16	HOUSING ASSM. TYPE 4 EXT. A/R	083457-004
17	PIN, COTTER 1/16 DIA. X 1/2 LG.	041402-000

Buna 083179-000
Buna 089274-006

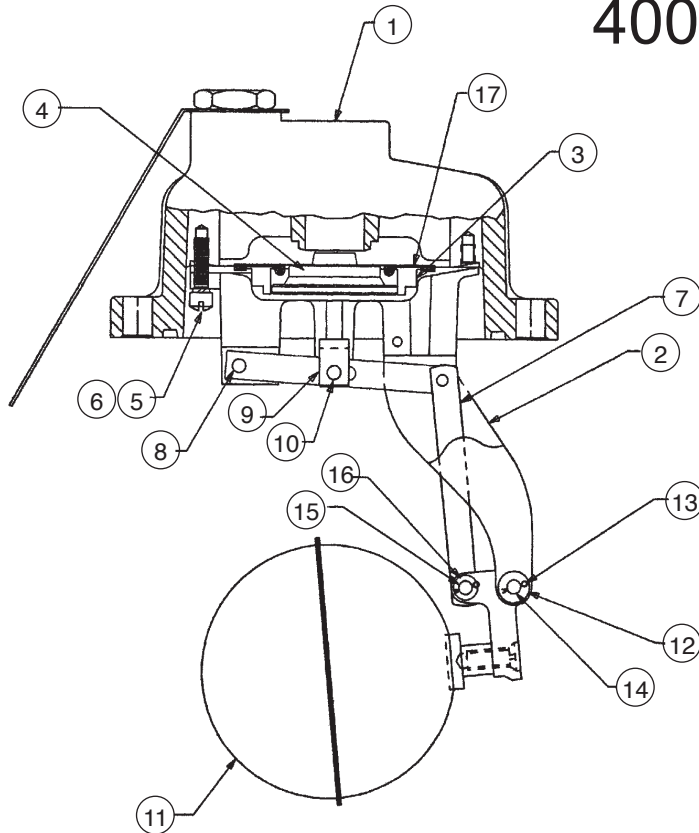
Type 4D-MT Vapor Release and Strainer

400076-701



Type 4D-MT Vapor Release Cover

400078-001



Part Number 400076-701

Index	Description	Part No.
1	Main Body Assembly - 4D-MT Vapor Release	400086-701
	Bolt, 5/8 11x1 3/4 (Not Shown)	100085-048
	Washer	041395-000
	Pipe Plug 3/8" Square Head	100075-010
2	Cover Complete - 2" 4D-MT Vapor Release	400078-001
3	O-Ring BUNA	100139-022
4	Washer, 3/8 Lock - Hel Spring Hi-Collar	100440-001
5	Screw, 3/8-16 x 1 Soc. Head Cap	008325-014
6	O-Ring BUNA	100139-018
7	Washer, Lock 7/16 Bolt St. Stl.	041012-002
8	Bolt, 7/16-14 x1 3/8 HRX	000795-003
9	Cover Complete - 2" Type 4D-MT Strainer	400074-001
10	Strainer Complete 80 Mesh 2" Type 4D	101405-004
11	Valve, ASM Inlet Check 2" Type 4D	084813-702
12	O-Ring Outlet Flange (Not Shown)	100139-013

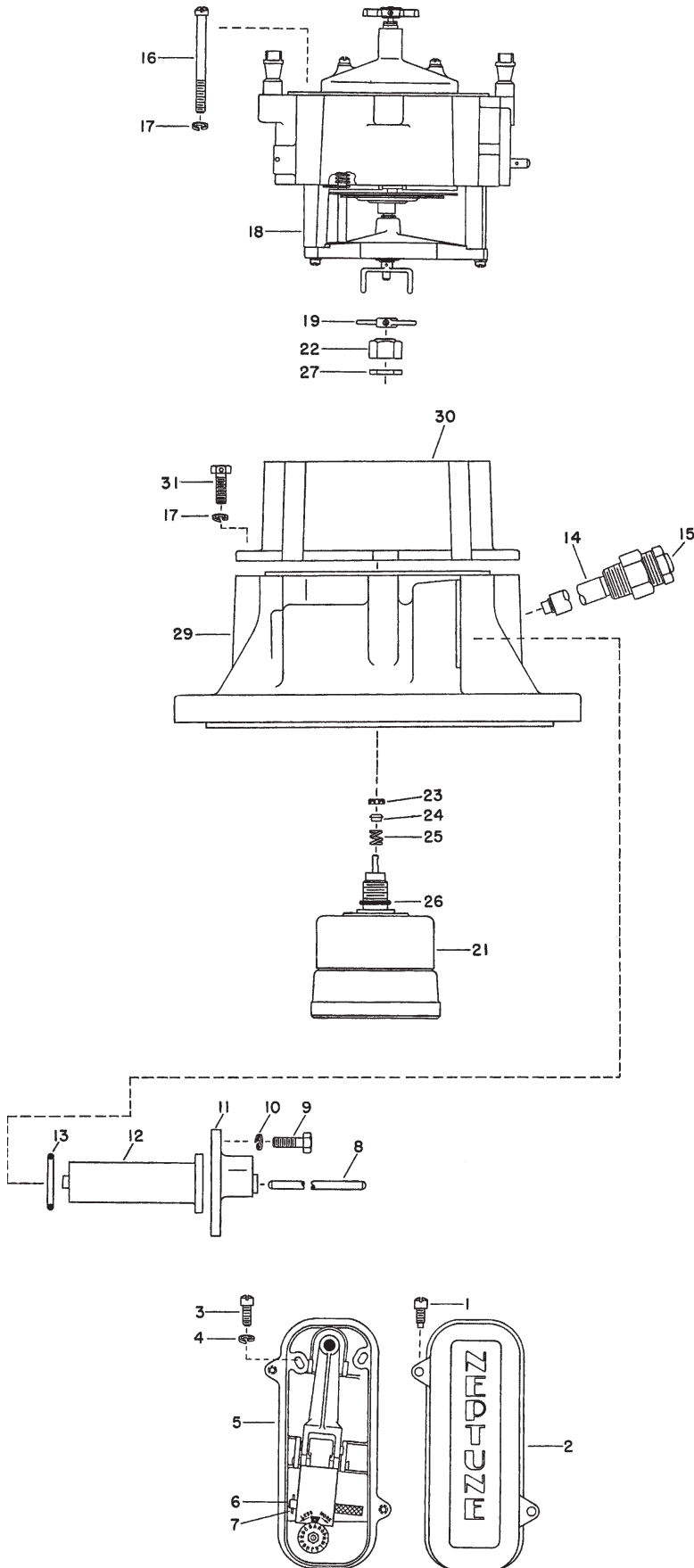
Part Number 400078-001

Index	Description	Part No.
1	2" 4D-MT Vapor Release Cover Assembly:	400077-701
	Screw, 5/8 - 18 Hex Hd. Retainer	004853-008
	Spring, Compression	100024-003
	O-Ring, 1/16 Sect. x 11/16 ID BUNA N	100138-006
	Valve Assembly, Bypass Aluminum with BUNA N Seat	100237-001
	Tag, Precaution	100322-001
2	Housing, ASM Low Volume & Extended	083457-000
3	Sleeve, Air Release, Aluminum	082446-005
4	Valve Assembly, Main A/R (BRZ-BUNA N)	089274-006
5	Screw, 10-32 x 5/8 Fil. Hd. 303 SST	041221-002
6	Washer, Lock No. 10 Spring Steel	041211-000
7	Link Assy., Connect. Stl.	080002-002
8	Pin, 0.187 ODS 21/32 LG	040819-002
9	Stem, Valve PST Type A/Rel. BRZ	083127-001
10	Pin, Valve Lever & Stem Air Release	042941-000
11	Float Complete	082476-001
12	Spacer Drive Gear Hub VSB Reg. Brass	040491-000
13	Pin, Cotter 1/16 Dia. x 1/2 Lg.	041402-000
14	Pin, Float Lever - A/R Valve	040820-003
15	Pin, V Connection 3/16 OD x 11/16 LG., BRZ	082633-000
16	Washer No. 10 Screw	041989-000
17	Seal, Piston Air Release Units - Buna	083179-000

Viton 089274-010

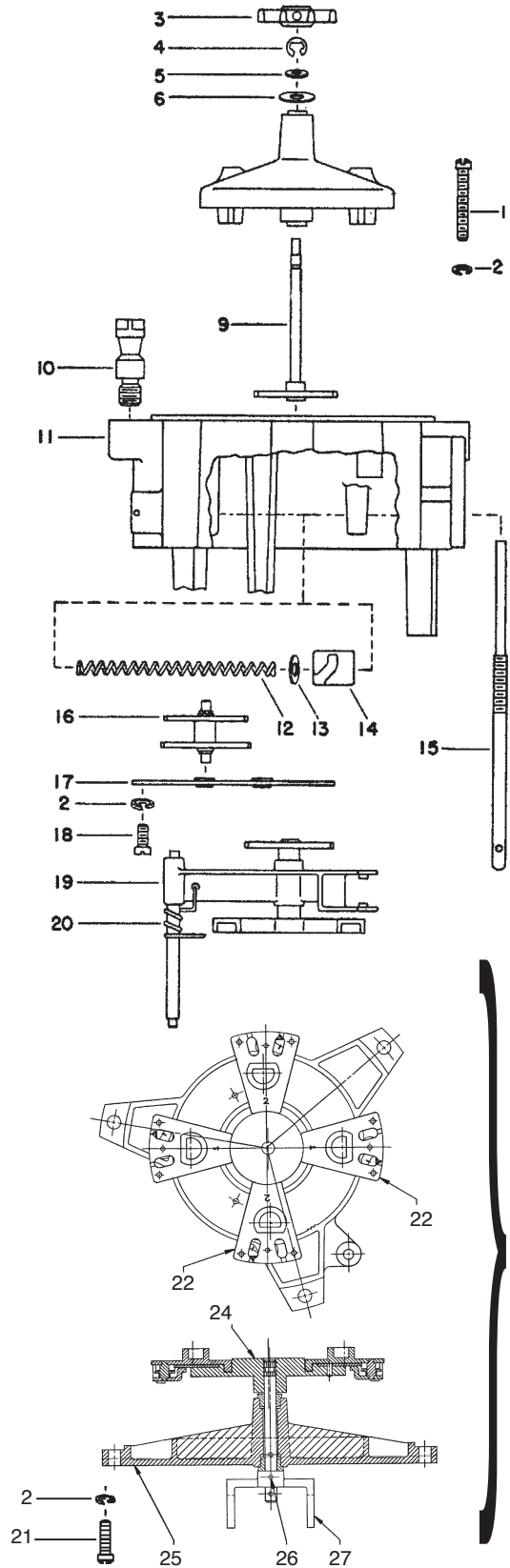
Viton 083179-002

Temperature Compensator, Type 1 Style 2



Temperature Compensator Adapter Unit Complete

Part No. 86602-705



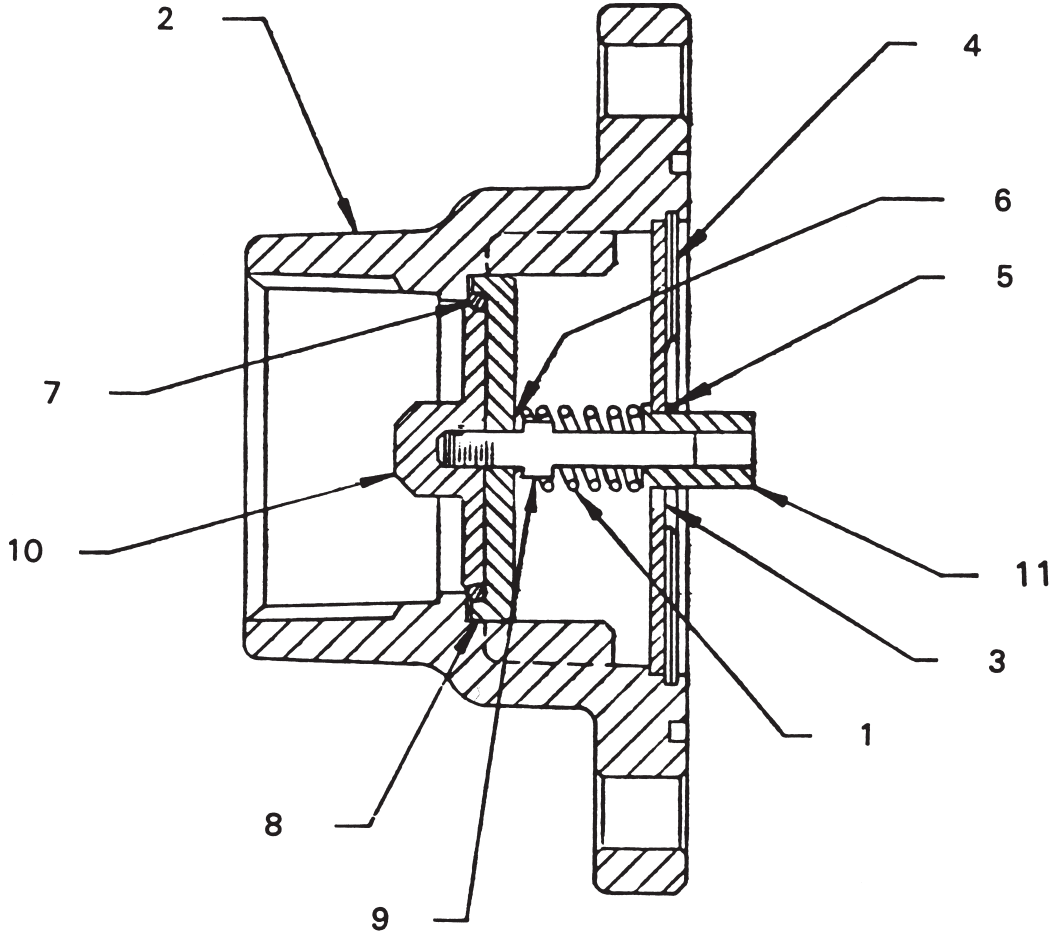
Drive Bracket Assy. complete with Ratchet and Arms.
 Part No. 84913-002

Temperature Compensator, Type 1 Style 2

Temperature Compensator Adapter

Index	Description	Part No.	Index	Description	Part No.
1	Screw, Cover (10-32 special)	9287-003	1	Screw, 10-32 x 1-1/4, fil hd steel	89073-000
2	Cover, Lever Arm Mounting Plate	86665-000	2	Lockwasher, No. 10 steel	41211-000
3	Screw, 10-32 x 5/8, fil hd steel	41221-002		Register Drive Bracket Complete	84890-004
4	Lockwasher, No. 10 steel	41211-000	3	Star Connection w/Setscrew	82976-001
5	Mounting Plate & Lever Arm Assy. (4D-MT)	86649-003		Setscrew, 8-32 x 3/16 hollow hd	8538-027
	Mounting Plate & Lever Arm Assy. (4-MT)	87650-001	4	Ring, Retaining (Truarc, Type E)	88462-000
6	Pin, Lever Arm Lock	86661-001	5	Washer, Drive Shaft	8571-014
7	Cotter Pin, 1/16 dia. x 3/8, brass	86973-000	6	Shim, Drive Shaft	46652-001
8	Pin, Thermostat	86648-000	9	Gear Complete, Intermediate (41 tooth)	86554-001
9	Screw, 1/4 dia. x 3/8, brass	83784-000	10	Stud, Register Mounting	84435-000
10	Lockwasher, 1/4 steel	88721-000	11	Adapter with Plug and Bushing	84921-003
11	Cover, Thermostat	400010-701	12	Spring, Push Rod	84888-000
12	Thermostat (Bellows)	86646-000	13	Washer, Spring Retaining	88286-003
13	Gasket, O-ring, Thermostat Cover	100139-005	14	Swivel Block Assembled	86612-000
14	Thermometer Well complete	1001906	15	Push Rod	86611-001
15	Cover, Thermometer Well	600443-001	16	Gears & Shaft Assembly (41 and 35 teeth)	84907-001
16	Screw, 1/4-20- x 2-1/2, fil hd steel	8302-107	17	Plate and Bushing Assembly, Idler Gear	
17	Lockwasher, 1/4 steel, small	88721-000		Retaining	86609-000
18	Adapter Unit Complete	86602-705	18	Screw, 10-32 x 3/8, fil hd steel	88524-000
19	Driving Arm with Setscrew	82976-001	19	Arm Complete, Offset Spider	
21	Gear Train Complete			(with 31-tooth gear)	84910-003
	3.75 Reduction US Gal	83502-000	20	Spring, Offset Spider Arm	86645-000
	9.93 Reduction Litres	80862-055	21	Screw, 10-32 x 5/8, fil hd steel	41221-002
22	Nut and Bushing Assy., Stuffing Box	83536-000	22	Arm Assembly, No. 1, 2 reg.	100922-001
23	Seal U-cup Shaft	100025-002	22	Arm Assembly, No. 2, 2 reg.	100922-002
24	Expander, Seal	83539-000	23	Spring, Ratchet Pawl (not shown)	86063-000
25	Spring, Stuffing Box	83540-000	24	Ratchet and Shaft, Assembly	100914-002
26	Gasket, O-ring	100138-003	25	Drive Bracket Assembled	
27	Nut, Clamp	34-000		(with Bushings)	84914-000
29	Main Case Cover with Locking Pin	400081-002	26	Rollpin, 1/16 dia x 3/8, steel	100370-003
30	Spacer	1002043	27	Drive Fork	84192-006
31	Screw, 1/4-20x1-1/8 socket hex hd steel	1002044		Kit - Replacement, Metal w/Plastic	101732-001
				Conversion Kit - Metal to Plastic	101732-001

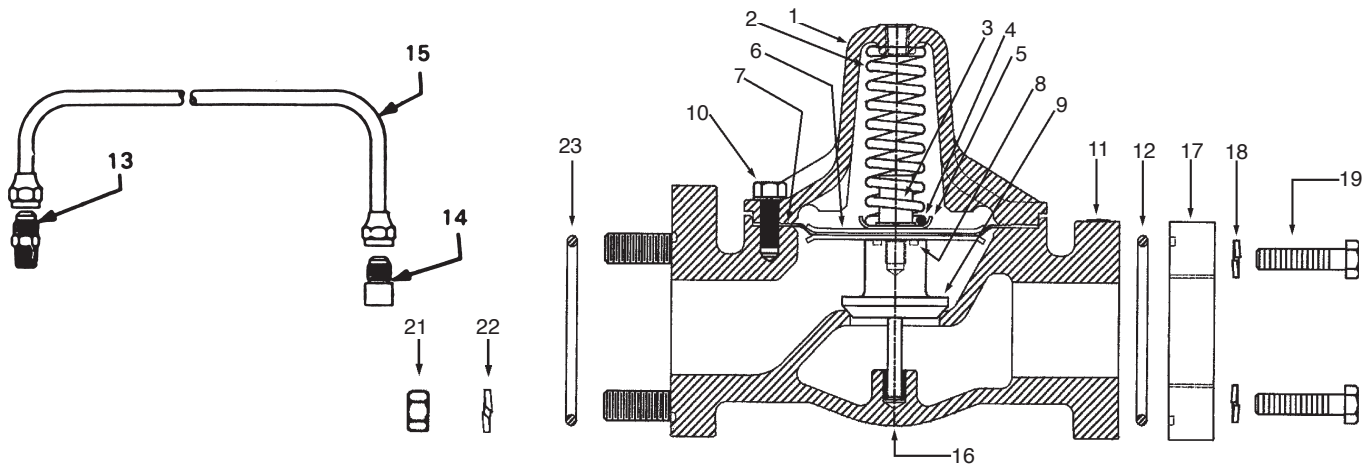
“Soft Seat” Inlet Check Valve Type 4D-MT



Part Number 084813-702

Index	Description	Part No.
1	Spring	83492-000
2	Flange, Inlet	84814-003
3	Strap, Inlet	84816-001
4	Ring, Retaining	84817-000
5	Ring, Retaining, Truarc	86071-000
6	Washer, Lock	041117-000
7	“O” Ring Buna	100139-032
8	Holder	100374-002
9	Shaft	100896-001
10	Retainer	100898-001
11	Bearing	100899-001

Differential Valve - Type 4D-MT



Part Number: 400070-701 w/2" Companion Flange
400070-702 w/1-1/2" Companion Flange

Index	Description	Part No.
1	Cover	400000-001
2	Spring, Valve	83775-000
	Diaphragm Complete	1001569
3	Screw, Diaphragm	83774-002
4	Lockwasher, 7/16 steel	41012-002
5	Retainer, Spring	83773-000
6	Retainer, Diaphragm	83772-002
7	Diaphragm	1000624
8	Gasket, O-ring	100139-001
9	Valve Stem Assembled	83927-002
10	Screw, 3/8 - 16 x 1-1/4, hex hd steel	100067-051
	Screw, 3/8 - 16 x 1-1/4, hex hd steel (with seal hole)	100068-050
10A	Lockwasher, 3/8 steel (not shown)	45828-001
11	Body (stud)	400013-703 1931-000
12	Gasket, O-Ring	100139-018
13	Fitting, Straight, 3/8 flared tube (male half)	84826-000
14	Fitting, Elbow, 3/8 flared tube (male half)	84825-001
15	Tube, Connecting, with Nuts	84823-000
	Tube, Connecting, with Nuts (Angle configuration)	84821-000
16	Bushing	8343-001
17	Flange, 2" NPT	86814-001
	Flange, 1-1/2" NPT	86814-002
18	Lockwasher	41012-002
19	Screw	100071-101
20	Ventline Check Valve (not shown)	84828-000
21	Nut 5/8-11	41224-000
22	Lockwasher	41395-000
23	Gasket, O-Ring	100139-013